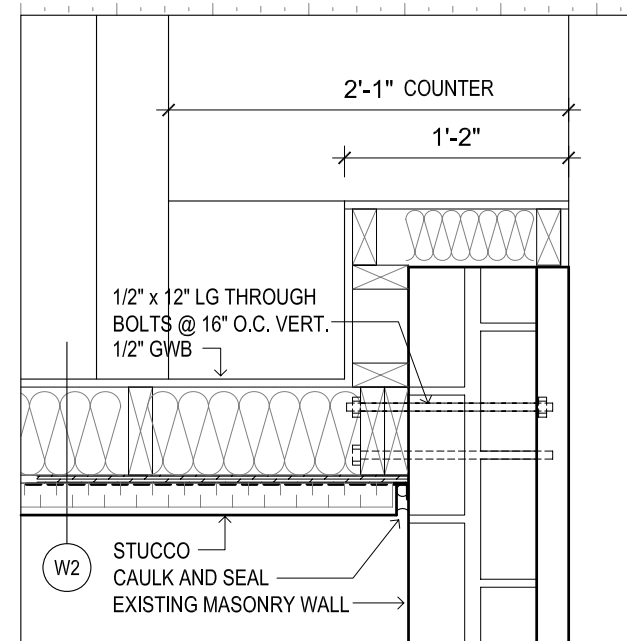
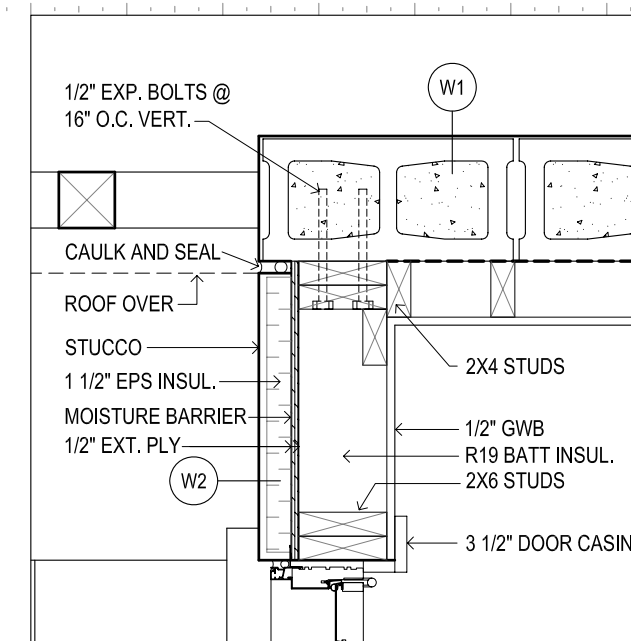


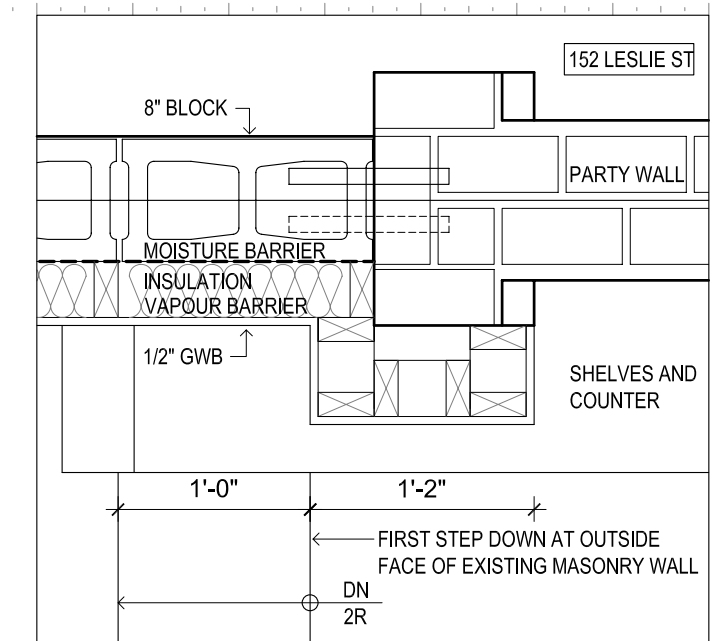
5 NEW WALL AT CORNER
A3 Scale: 1" = 1'-0"



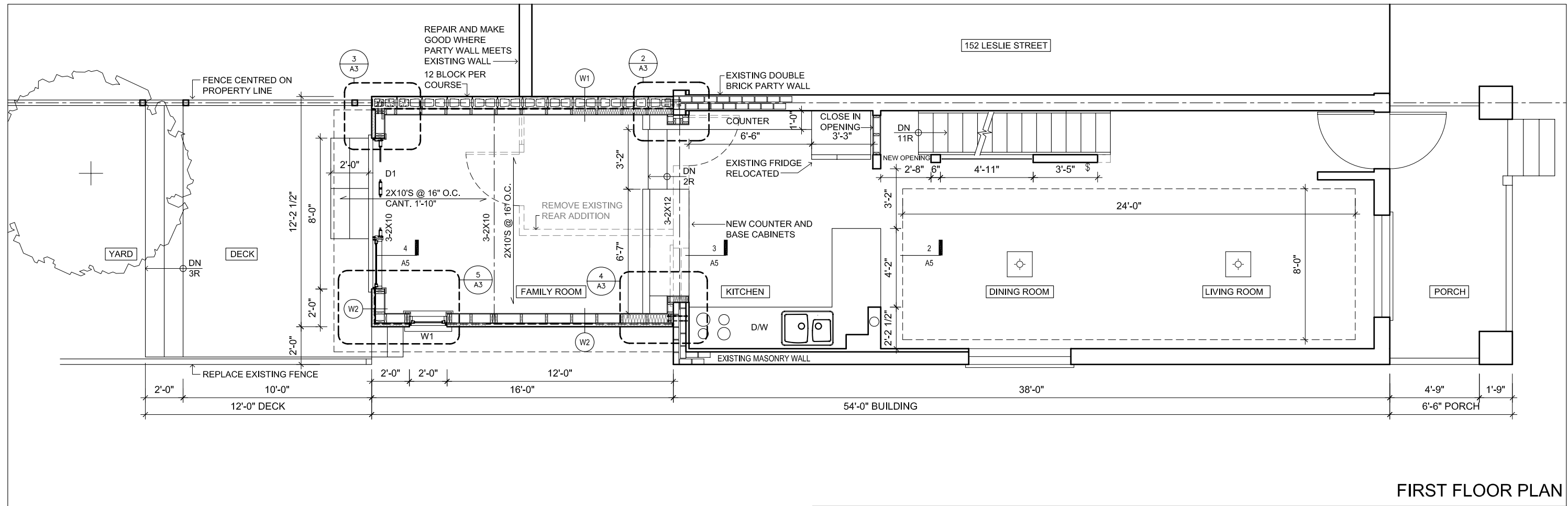
4 NEW WALL AT EXISTING BRICK
A3 Scale: 1" = 1'-0"



3 DETAIL AT NEW WALL
A3 Scale: 1" = 1'-0"



2 DETAIL AT EXISTING WALL
A3 Scale: 1" = 1'-0"



FIRST FLOOR PLAN

jba John Boone
ARCHITECT

185 Carlton Street, Toronto, Ontario, M5A 2K7
Tel: 416 469 3264 Email: johnboone@rogers.com

This drawing is the Property of John Boone Architect and may be used for this project only. Scale from drawings for reference only. Dimensions to be checked and verified by the contractor on site.

150 LESLIE STREET

Toronto, Ontario

PLOT DATE: April 12, 2008

DRAWING SCALE 3/16"=1'-0"
PROJECT DATE JAN 2008
PROJECT NUMBER 08A01
DRAWN BY JB, SG

No.	DATE	DESCRIPTION
1	APRIL 11, 2008	SUBMITTED FOR BUILDING PERMIT

A3