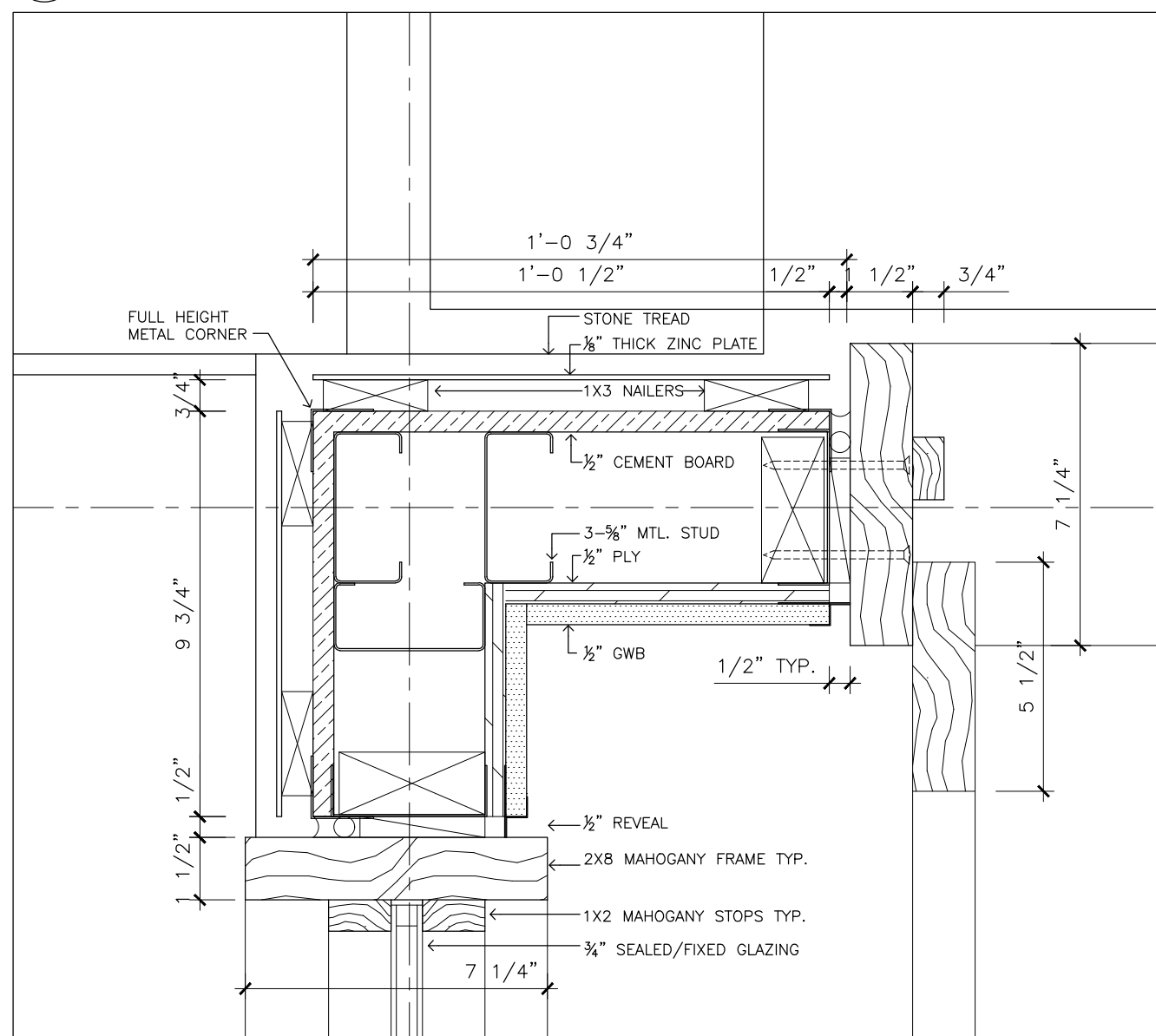
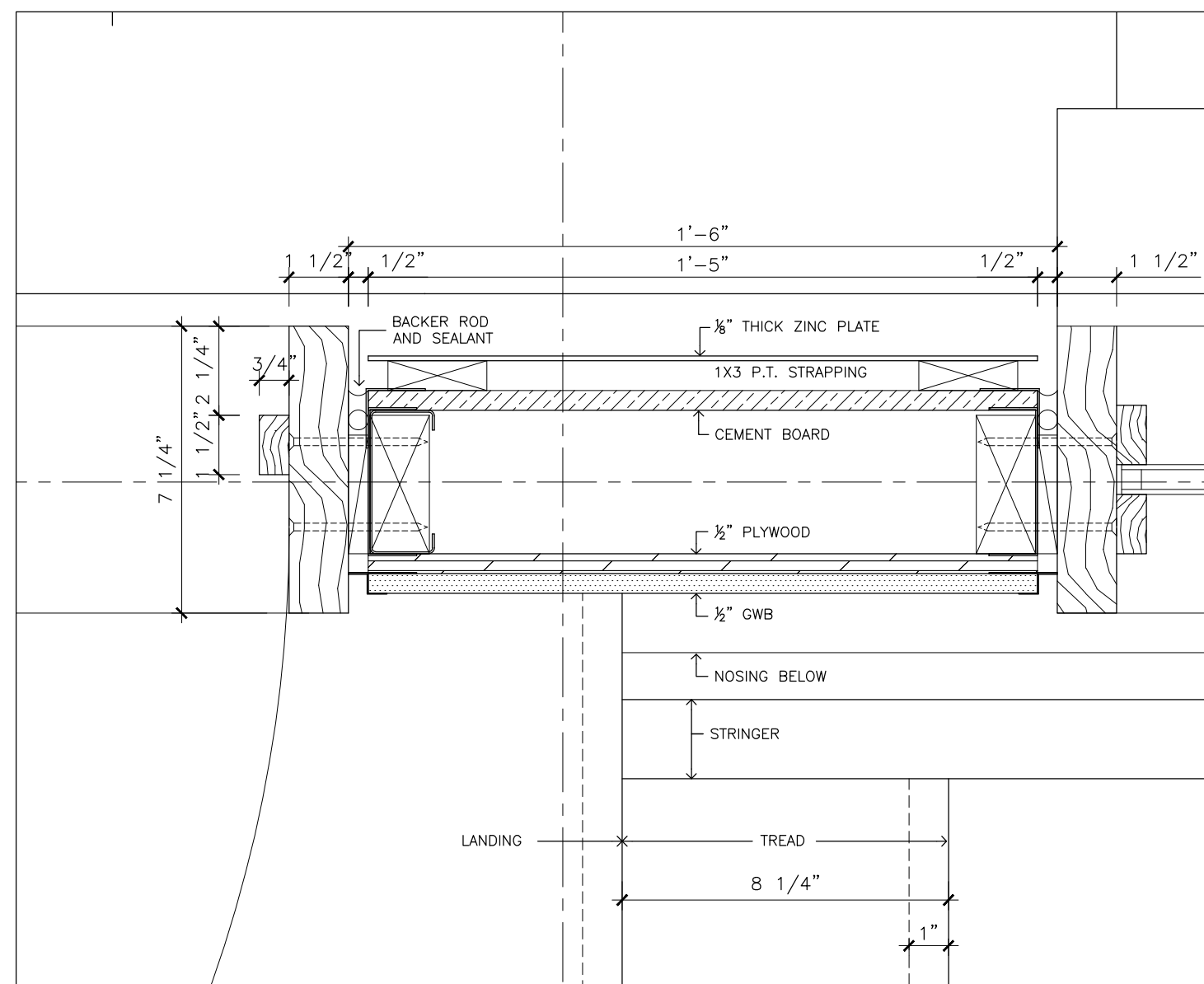


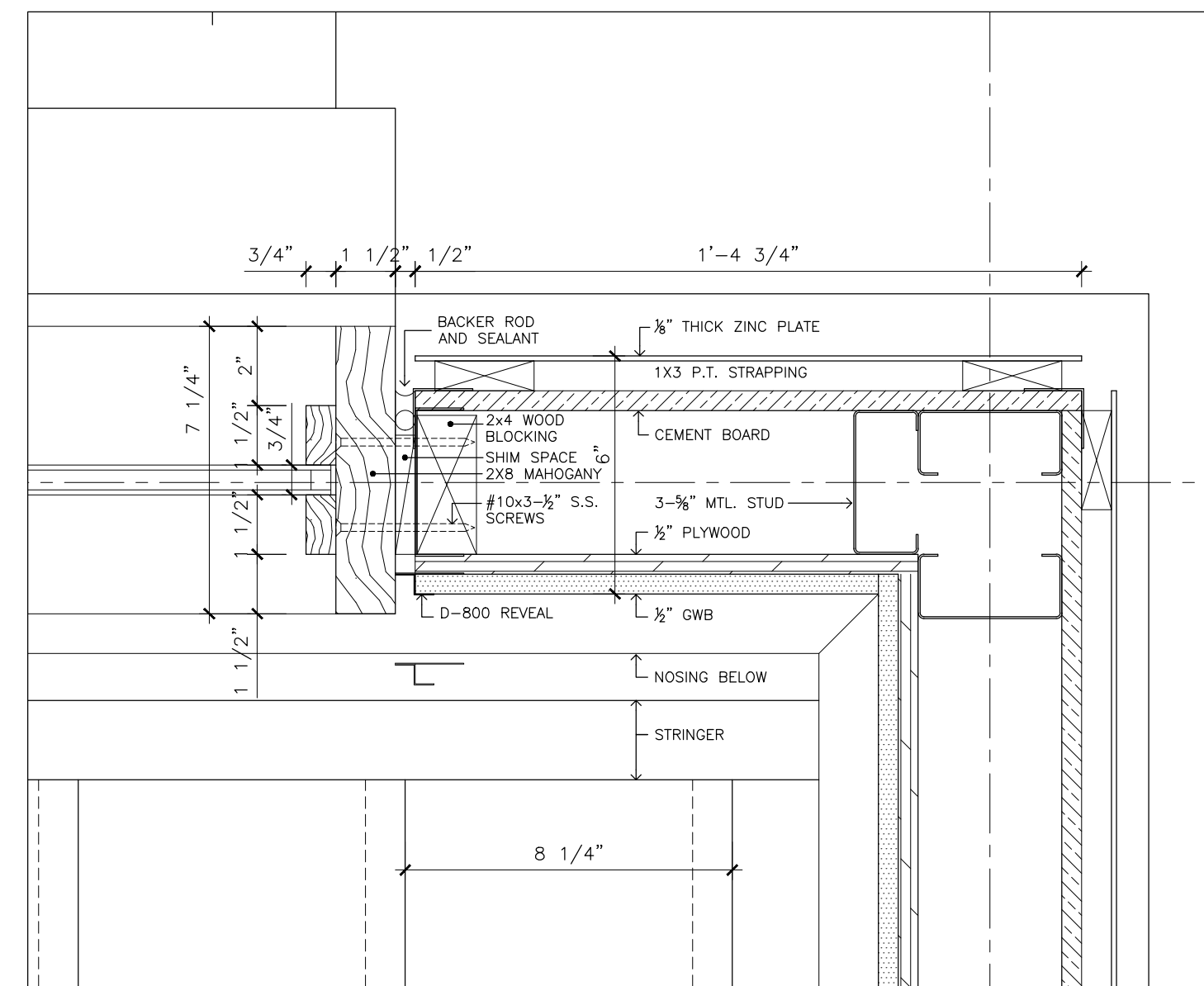
1
A2.0 STAIR ENCLOSURE PLAN
Scale: 1" = 1'-0"



4
A2.0 DETAIL AT CORNER
Scale: 3" = 1'-0"



3
A2.0 DETAIL AT WINDOW AND DOOR JAMB
Scale: 3" = 1'-0"



2
A2.0 DETAIL AT CORNER
Scale: 3" = 1'-0"

STAIR ENCLOSURE PLAN

jba John Boone
ARCHITECT

HURST RESIDENCE
326 Carlaw Avenue SUITE 212
Toronto, Ontario

DRAWING SCALE AS NOTED
PROJECT DATE April 10/2003
PROJECT NUMBER 03A04
DRAWN BY JB

2 MAY 14, 2004 SUBMITTED FOR BUILDING PERMIT
1 JULY 15, 2003 SUBMITTED FOR PRELIMINARY REVIEW
No. DATE DESCRIPTION

This drawing is the Property of John Boone Architect and may be used for this project only. Scale from drawings for reference only. Dimensions to be checked and verified by the contractor on site.

PLOT DATE : May 03, 2013

A2.0